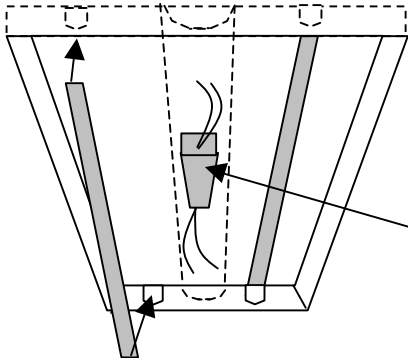


Installation Guidelines

RETROtrac XLP T8 & LED Driver

Page 1



WARNING: Risk of fire and electrical shock. Luminaire Wiring, ballasts or other electrical parts may be damaged when drilling for installation of reflector kit hardware. Check for enclosed wiring components

WARNING: Risk of fire and electrical shock. Reflector/Retrofit kit installation requires knowledge of lighting luminaires electrical systems. If not qualified, DO NOT ATTEMPT INSTALLATION. Contact a qualified electrician.

Installation Instructions:

Step 1

Turn off power to fixture at the breaker.

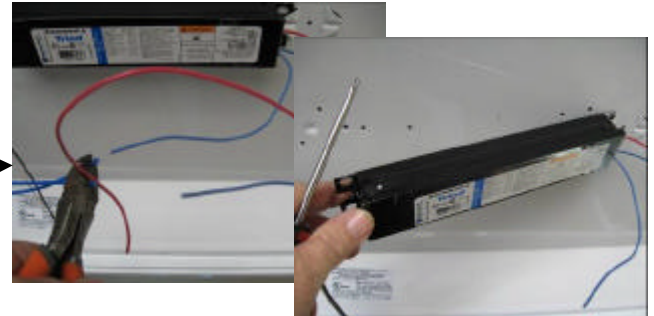
Step 2

Remove Fluorescent Lamps (discard in accordance with local code) and Remove Ballast Cover and retain for re-installation.



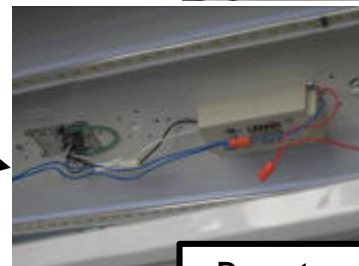
Step 3

Disconnect power wires from incoming power source. Remove the exiting fluorescent ballast by cutting all secondary wires out of the ballast. Cut wires close to ballast to assure that you have sufficient length for the retrofit. Remove Ballast.



Step 4

Install the LED Driver(s) using Self Tapping Sheet Metal Screws. Align with existing ballast holes where possible. (Install according to wiring instructions) Repeat as necessary for multiple lamp fixtures.

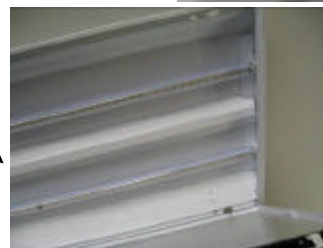


Step 5

Re-install Ballast Cover

Step 6

Install LEDpac RETROtrac T8 LED "lamp modules" single pin or double pin with frosted, clear cap and or without cap into existing fluorescent lamp holders



WARNING: Risk of fire or electric shock. Install this kit only in Luminaires that have the construction features and dimensions shown in the photographs and/or drawings

Do not make or alter any open holes in an enclosure of wiring or electrical components during kit installation

CONSULT LOCAL BUILDING AND ELECTRICAL CODE AUTHORITIES FOR INSTALLATION REQUIREMENTS AND APPROVALS.



Installation Guidelines



RETROtrac XLP T8 & LED Driver

Wiring Instructions:

Page 2

Step 1

Mount the Class 2 LED Driver as necessary indicated in the installation instructions.

Step 2

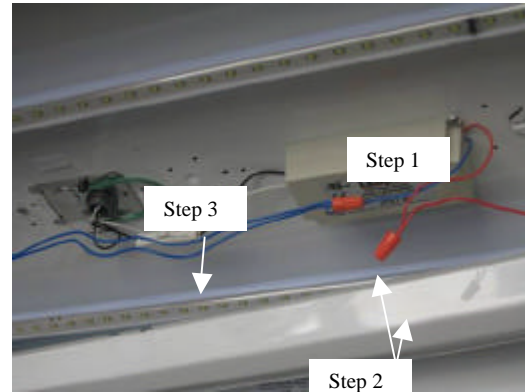
Use only UL approved wirenuts, walnuts or other approved connectors to connect the + low voltage driver lead to both existing (blue) wires from the lampholder on one end of the fixture. Connect the Low voltage lead to the corresponding lampholder on the opposite end of the fixture. Repeat as necessary for multiple lamp fixtures. Refer to the driver selection chart below for driver sizing.

Step 3

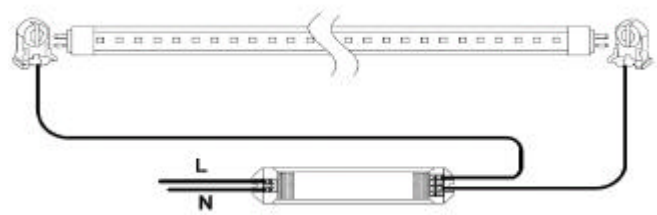
Connect LED Driver LINE and NEUTRAL input wires to the incoming building power wires using the fused connector provided with the fixture unit.

Step 4

For Class 2 power supplies with metal cases, the grounding conductor shall be bonded to groundin screw located on the fixture body.



Wiring Installation reference



WARNING: To prevent wiring damage or abrasion, do not expose wiring to edges of sheet metal or other sharp objects

Interconnection of RETROtrac LED lighting channels should be made only with approved connectors and wiring devices. Devices are available from the factory. Contact your representative for parts and pricing information.

RETROtrac Retrofit Kit Model #	Nom. Length	Max. Output Voltage VDC	LED Lamp Tube	No. of LED Tubes	Wattage per LED "Lamp" Module
RTPD12-6	6"	12	RETROtrac XLP-6	1	3.5 W
RTPD12-6X2	6"	12	RETROtrac XLP-6	2	2 x 3.5 W
RTPD12-12	12"	12	RETROtrac XLP-12	1	6.5 W
RTPD12-12X2	12"	12	RETROtrac XLP-12	2	2 x 6.5 W
RTPD12-18	18"	12	RETROtrac XLP-18	1	9.5 W
RTPD12-18X2	18"	12	RETROtrac XLP-18	2	2 x 9.5 W
RTPD12-24	24"	12	RETROtrac XLP-24	1	10 W
RTPD12-24X2	24"	12	RETROtrac XLP-24	2	2 x 20 W
RTPD12-30	30"	12	RETROtrac XLP-30	1	13.5 W
RTPD12-30X2	30"	12	RETROtrac XLP-30	2	2 x 13.5 W
RTPD12-36	36"	12	RETROtrac XLP-36	1	16.5 W
RTPD12-36X2	36"	12	RETROtrac XLP-36	2	2 x 16.5 W
RTPD12-42	42"	12	RETROtrac XLP-42	1	19.5 W
RTPD12-42X2	42"	12	RETROtrac XLP-42	2	2 x 19.5 W
RTPD12-48	48"	12	RETROtrac XLP-48	1	20 W
RTPD12-48X2	48"	12	RETROtrac XLP-48	2	2 x 20 W
RTPD12-48	54"	12	RETROtrac XLP-54	1	23.5 W
RTPD12-48X2	54"	12	RETROtrac XLP-54	2	2 x 23.5 W
RTPD12-60	60"	12	RETROtrac XLP-60	1	30W
RTPD12-60X2	60"	12	RETROtrac XLP-60	2	2 x 30W